

**Omnia Service**

Via Cesare Battisti, 12  
31015 Conegliano (TV) - Italy  
Fax: 0438-450202

**CATALOGO PARTI DI RICAMBIO  
SPARE PARTS CATALOGUE****CUCINA A GAS  
GAS COOKER**

<b>Code</b>	<b>Type</b>	<b>Ref.</b>	<b>Page</b>
168 804	MCF/G2	a	1-3
168 805	MCF/G3	b	2-3
168 004	RCF/G2	e	1-3
168 005	RCF/G3	f	2-3
168 211	MCF/G2A	a	1-3
168 212	MCF/G3A	b	2-3



**PLATON SERVICE**

8 (800) 500-34-47

[www.platonservice.com](http://www.platonservice.com)

**Indice**

Pag. 1-2 Piano cottura e forno  
3 Componenti gas  
4-6 Lista ricambi

**Index**

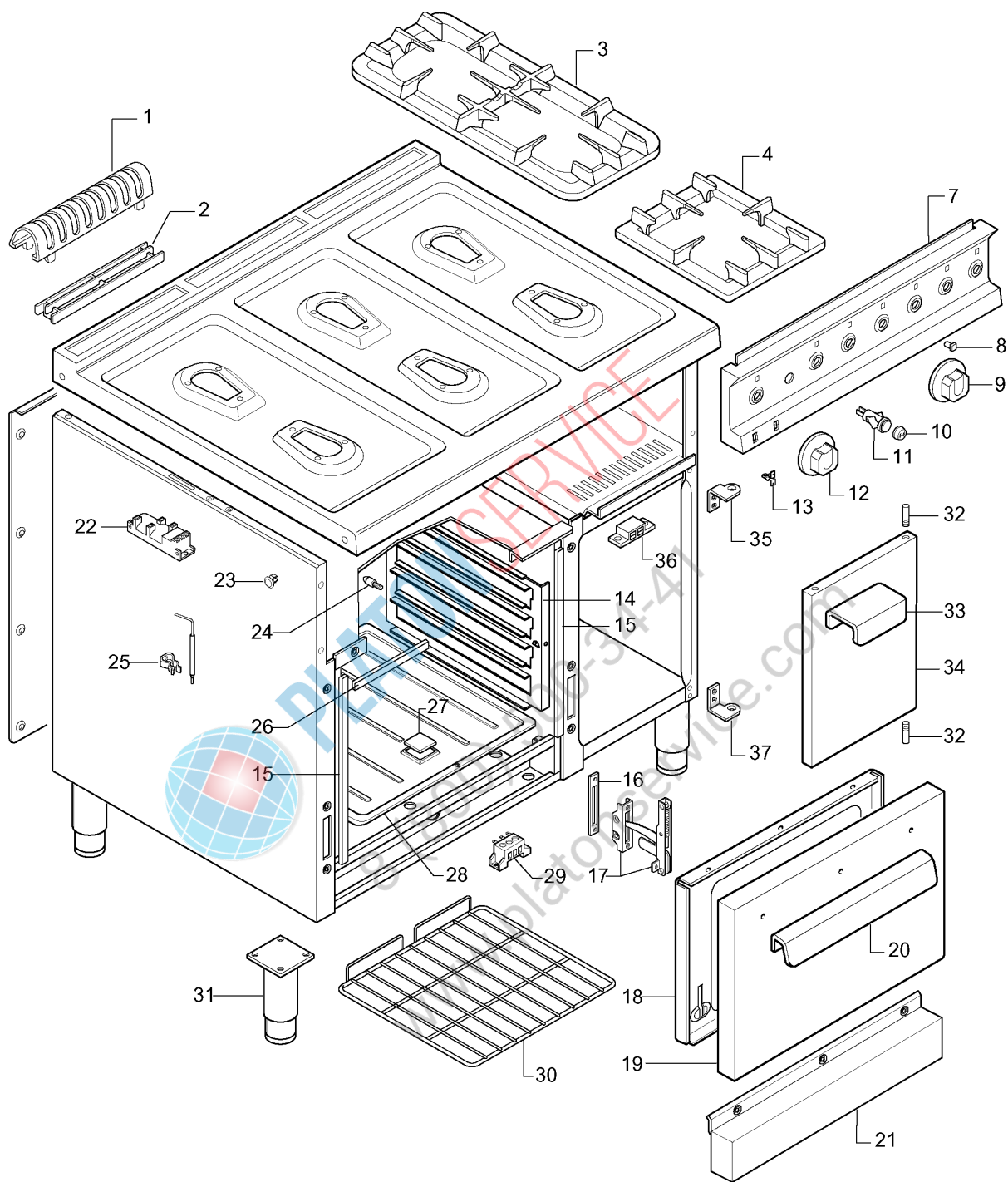
Cooker top and oven  
Gas components  
Spare parts list

**Marchio / Brand:** Z - E - P  
**Paese / Country:** Tutti / All

Da Ser. Nr. / From ser. nr.: 020.....

Ed. 0409

Doc. Nr.: **2 - 04 002**



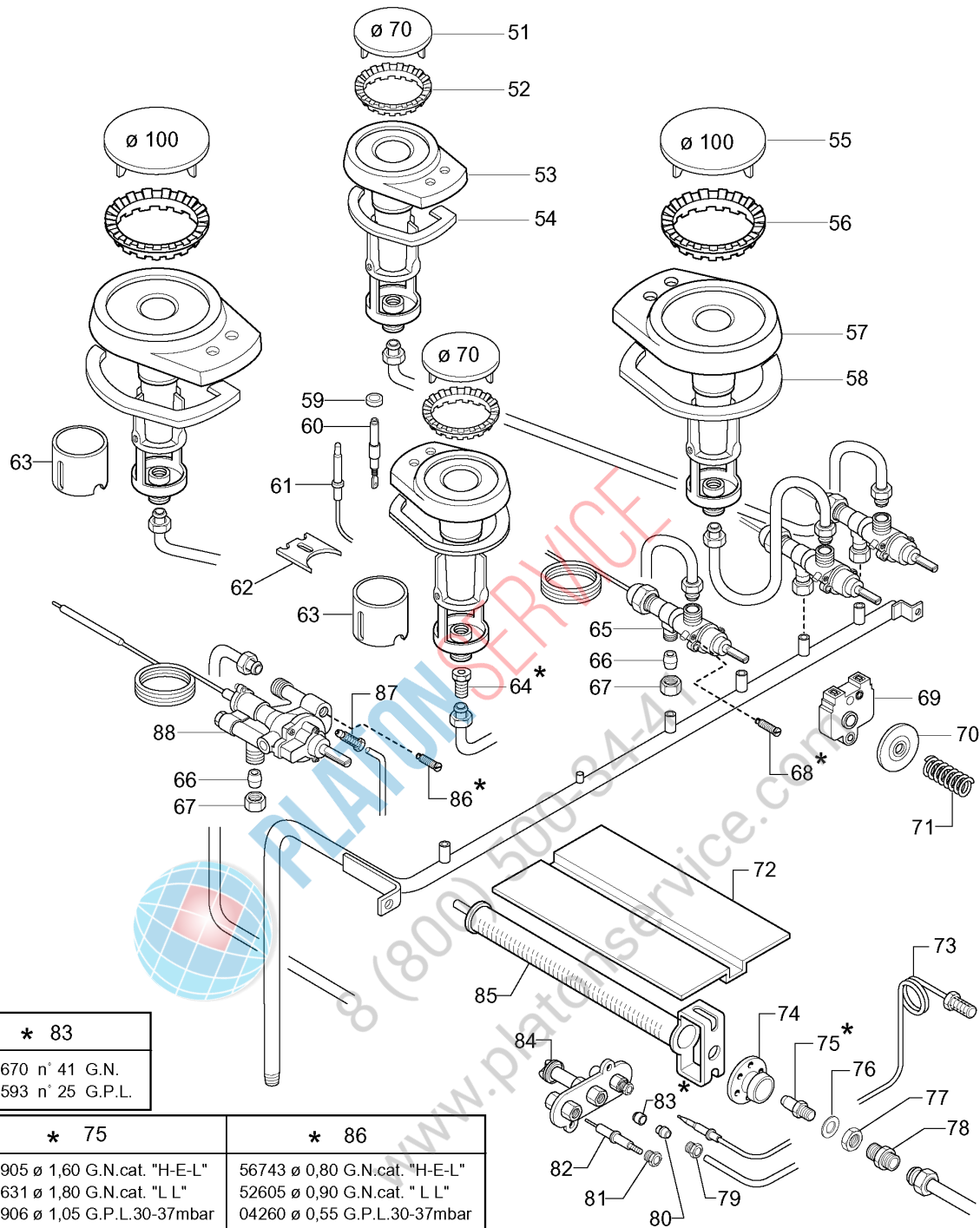
CUCINA A GAS  
GAS COOKER PR 700

Da Ser. Nr. / From ser. nr.: 020....

Page: 2 Ed. 0409

Doc. Nr.: **2 - 04 002**

??????		168005									
??????		2-04002		???????? 3		Cooker top and oven					
.		Alias		S		.				(Euro)	
0001	004244							GRILL	e,f	50,85	
0003	004245		002436					GRID; PAN SUPPORT	e,f		
0007	004263							CONTROL PANEL	f	207,10	
0008	059257							POINTER	e,f	8,60	
0009	004246							KNOB; ØE=70MM; Ø PIVOT=8MM	e,f	6,58	
0010	053979							PROTECTION; FOR PUSH-BUTTON		1,47	
0011	054518							GREEN LUMINOUS SWITCH; 220V		10,35	
0012	004259							KNOB	e,f	6,58	
0013	053342							SPRING; FOR BRAND		1,02	
0014	054113							RUNNER	Dx=Sx/Right=Left	29,44	
0015	054111		054112					GASKET			
0016	052725							HINGE COVER		3,98	
0017	050766							OVEN DOOR HINGE		21,00	
0018	004255							INNER DOOR		189,80	
0019	004254					D		DOOR		361,30	
0020	004256							HANDLE	e,f	56,54	
0021	004253							CONTROL PANEL		76,33	
0022	004248							4-WAY IGNITER; 230V 50/60HZ	b,f	18,99	
0023	002449							COVERING PLUGS; SET 20 PCS		16,72	
0024	052220		0G6450					SCREW			
0025	066823							BULB FIXING SPRING		1,89	
0026	054112							OVEN GASKET; BY METER	mm.596	20,60	
0027	050761							LID		22,23	
0028	054114							SOLE PLATE		90,94	
0029	046357							TERMINAL BOARD;3POLE; TYPE TIPO FV 110B		5,33	
0030	025020							HRMED GRID; 650X530MM		28,80	
0031	004249							FOOT; 1"3/4		21,80	
0032	053339							PIN	b,f	5,15	
0033	004265								b,f		
0034	004264								b,f		
0035	053344							HINGE	b,f		
0036	004266							DOOR MAGNET	b,f	17,08	
0037	053343							HINGE	b,f		



<b>* 83</b>
53670 n° 41 G.N.
54593 n° 25 G.P.L.

<b>* 75</b>	<b>* 86</b>
02905 ø 1,60 G.N.cat. "H-E-L"	56743 ø 0,80 G.N.cat. "H-E-L"
54631 ø 1,80 G.N.cat. "L L"	52605 ø 0,90 G.N.cat. "L L"
02906 ø 1,05 G.P.L.30-37mbar	04260 ø 0,55 G.P.L.30-37mbar
02265 ø 0,90 G.P.L.50 mbar	04261 ø 0,45 G.P.L.50 mbar

<b>* 64 ø 70</b>	<b>* 64 ø 100</b>
A2091 ø 1,45 G.N.cat. "H-E-L"	56793 ø 1,80 G.N.cat. "H-E-L"
A2089 ø 1,60 G.N.cat. "L L"	A2301 ø 1,95 G.N.cat. "L L"
A2088 ø 0,95 G.P.L.30-37mbar	A2650 ø 1,20 G.P.L.30-37mbar
59357 ø 0,85 G.P.L.50 mbar	59328 ø 1,05 G.P.L.50 mbar

<b>* 68 ø 70</b>	<b>* 68 ø 100</b>
02908 ø 0,70 G.N. cat."H-E-L"	02909 ø 0,95 G.N. cat."H-E-L"
02899 ø 0,80 G.N. cat."L L"	02902 ø 1,05 G.N. cat."L L"
02900 ø 0,45 G.P.L.30-37mbar	02904 ø 0,60 G.P.L.30-37mbar
02901 ø 0,40 G.P.L.50 mbar	02911 ø 0,55 G.P.L.50 mbar

**CUCINA A GAS PR 700**  
**GAS COOKER**

Da Ser. Nr. / From ser. nr.: 020...	Page: 3	Ed. 0409	Doc. Nr.: <b>2 - 04 002</b>
-------------------------------------	---------	----------	-----------------------------

??????	168005								
??????	2-04002	???????? 4	Gas components						
.		Alias		S			.		(Euro)
0000	002265							NOZZLE; DIA 0,90	5,43
0000	002899							MINIMUM SCREW; Ø=0,80; NG	8,16
0000	002900							SCREW	7,95
0000	002901							SCREW	7,96
0000	002902							MINIMUM SCREW; Ø=1,05 MM	7,32
0000	002904							MINIMUM SCREW	7,12
0000	002905							NOZZLE	5,54
0000	002906			S				NOZZLE	5,43
0000	002908							NOZZLE; 0,69	7,32
0000	002909							MINIMUM SCREW; Ø=0,95	7,32
0000	002911							MINIMUM SCREW; Ø=0,55; GPL	7,32
0000	004260			S				MINIMUM SCREW; DIA.0,55	7,12
0000	004261			S				MINIMUM SCREW; DIA.0,45	7,12
0000	052605			S				MINIMUM SCREW; DIA.0,90	7,95
0000	053670							PILOT NOZZLE; N.41 GN	2,17
0000	054593							PILOT NOZZLE; N 25 GPL	2,38
0000	054631							NOZZLE	5,60
0000	056743							MINIMUM SCREW; DIA.0,80	7,95
0000	056793							GAS NOZZLE; N°180; G.N.	6,17
0000	059328							GAS NOZZLE; DIA. 1,05	7,85
0000	059357			S				GAS NOZZLE; N°85; GPL-50 MBAR	8,26
0000	0A2088							GAS NOZZLE; N°95; GPL; 30-37MBAR	6,17
0000	0A2089							GAS NOZZLE; N°160; GN	6,17
0000	0A2091							NOZZLE FOR GAS; DIA. 1,45	7,85
0000	0A2301							NOZZLE; DIA 1,95	8,26
0000	0A2650							GAS NOZZLE; N°120; GPL 30-37MBAR	7,85
0051	002442							FLAME SPREADER; DIA 70MM	41,21
0052	056747							BURNER CROWN; Ø=70MM	19,09
0053	004238			S				BURNER	40,09
0054	054093							GASKET; FOR BURNER Ø=70MM	2,96
0055	002443							FLAME SPREADER; Ø=100 MM	34,00
0056	056748							BURNER CROWN; Ø=100MM.	22,03
0057	004239			S				BURNER	40,09
0058	054094							GASKET; FOR BURNER Ø100MM	5,10
0059	054100							GASKET; FOR SPARK PLUG	1,02
0060	054099							SPARK PLUG; DIA 5/8 L=52 MM	4,24

??????	168005								
??????	2-04002		???????? 4				Gas components		
.		Alias		S			.		(Euro)
0061	058332						THERMOCOUPLE; M8X1 L=75 CM		6,52
0062	058331						SMALL PLATE		6,26
0063	053448						AERATOR		14,96
0064	056793						GAS NOZZLE; N°180; G.N.	G.N. cat. "H-E-L" ø100	6,17
0064	059328						GAS NOZZLE; DIA. 1,05	G.P.L.50 mbar ø100	7,85
0064	059357			S			GAS NOZZLE; N°85; GPL-50 MBAR	G.P.L.50 mbar ø70	8,26
0064	0A2088						GAS NOZZLE; N°95; GPL; 30-37MBAR	G.P.L.30-37mbar ø70	6,17
0064	0A2089						GAS NOZZLE; N°160; GN	G.N. cat. " LL" ø70	6,17
0064	0A2091						NOZZLE FOR GAS; DIA. 1,45	G.N. cat. "H-E-L" ø70	7,85
0064	0A2301						NOZZLE; DIA 1,95	G.N. cat. " LL" ø100	8,26
0064	0A2650						GAS NOZZLE; N°120; GPL 30-37MBAR	G.P.L.30-37mbar ø100	7,85
0065	004237						VALVED GAS TAP; 20S		54,86
0066	060325						DOUBLE CONE; ØE=12MM; ØI=10 MM; L=7,5MM		2,07
0067	0A2125						NUT; M16X1,5		2,17
0068	002899						MINIMUM SCREW; Ø=0,80; NG	G.N. cat. " LL" ø70	8,16
0068	002900						SCREW	G.P.L.30-37mbar ø70	7,95
0068	002901						SCREW	G.P.L.50 mbar ø70	7,96
0068	002902						MINIMUM SCREW; Ø=1,05 MM	G.N. cat. " LL" ø100	7,32
0068	002904						MINIMUM SCREW	G.P.L.30-37mbar ø100	7,12
0068	002908						NOZZLE; 0,69	G.N. cat. "H-E-L" ø70	7,32
0068	002909						MINIMUM SCREW; Ø=0,95	G.N. cat. "H-E-L" ø100	7,32
0068	002911						MINIMUM SCREW; Ø=0,55; GPL	G.P.L.50 mbar ø100	7,32
0069	004241						MICROSWITCH		10,00
0070	004242						WASHER		2,80
0071	004243						SPRING		9,34
0072	054119						FIREPROOF		70,54
0073	051119						THERMOCOUPLE; M8X1 L=150 CM		8,49
0074	054085						AERATOR		14,22
0075	002265						NOZZLE; DIA 0,90	G.P.L.50 mbar	5,43
0075	002905						NOZZLE	G.N. cat. "H-E-L"	5,54
0075	002906			S			NOZZLE	G.P.L.30-37mbar	5,43
0075	054631						NOZZLE	G.N. cat. " LL"	5,60
0076	054029						GASKET		1,02
0077	020997						LOCK NUT		1,25
0078	054118						NOZZLE		6,90
0079	046755		052125				PIPE FITTING		

??????	168005								
??????	2-04002		???????? 4				Gas components		
.		Alias		S			.		(Euro)
0080	053665						DOUBLE CONE; DIAM.=4MM		1,00
0081	057960						PIPE FITTING; SPARK PLUG		1,25
0082	059988		052610				SPARK PLUG; DIA 6X44 MM		
0083	053670						PILOT NOZZLE; N.41 GN	G.N.	2,17
0083	054593						PILOT NOZZLE; N 25 GPL	G.P.L.	2,38
0084	0A2472						PILOT BURNER		13,04
0085	004258						BURNER		77,55
0086	004260			S			MINIMUM SCREW; DIA.0,55	G.P.L.30-37mbar	7,12
0086	004261			S			MINIMUM SCREW; DIA.0,45	G.P.L.50 mbar	7,12
0086	052605			S			MINIMUM SCREW; DIA.0,90	G.N. cat. " LL"	7,95
0086	056743						MINIMUM SCREW; DIA.0,80	G.N. cat. "H-E-L"	7,95
0087	052833						PIPE FITTING		1,97
0088	004257		006597	S	A		GAS TAP		



PLATON SERVICE  
 8 (800) 500-34-41  
 www.platonservice.com